

Rear Lateral Link

REAR SUSPENSION

8. Rear Lateral Link

A: REMOVAL

1) Disconnect the ground cable from battery. <Ref. to NT-5, BATTERY, NOTE, Note.>

NOTE:

For the 12 volt engine restart battery of HEV model, disconnect the ground terminal from 12V engine restart battery sensor.

2) Lift up the vehicle, and then remove the rear wheels.

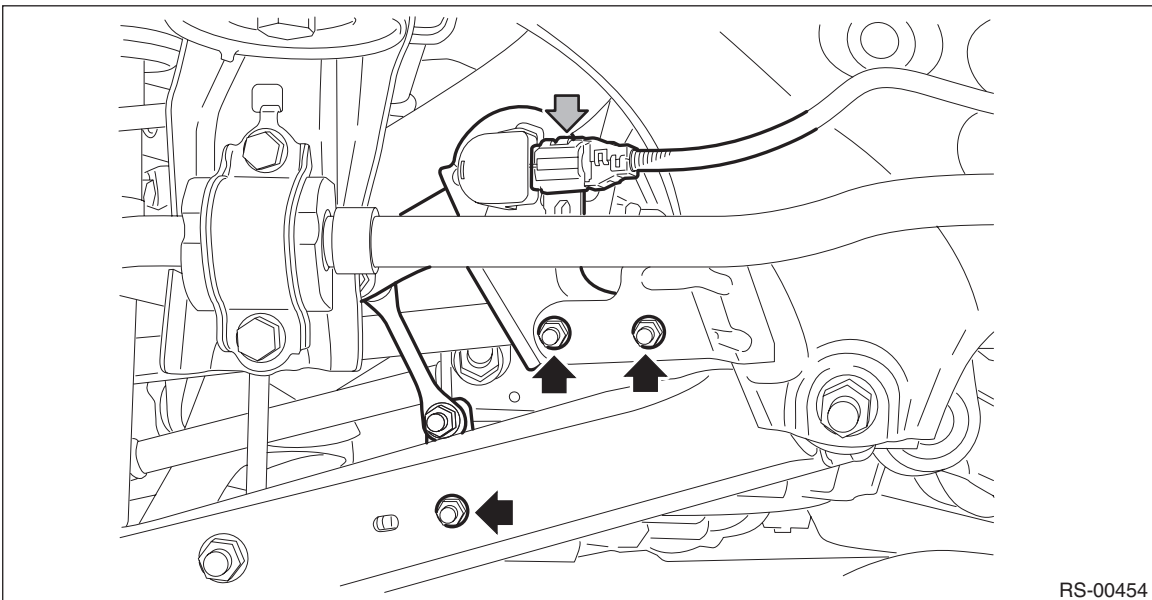
3) Remove the sensor assembly - headlight beam leveler. (Model with auto headlight beam leveler, left side only)

CAUTION:

Do not apply impact to the sensor assembly - headlight beam leveler or forcibly move the arm. Doing so may cause sensor damage and malfunction.

(1) Disconnect the connector of the sensor assembly - headlight beam leveler.

(2) Remove the nuts, and remove the sensor assembly - headlight beam leveler.

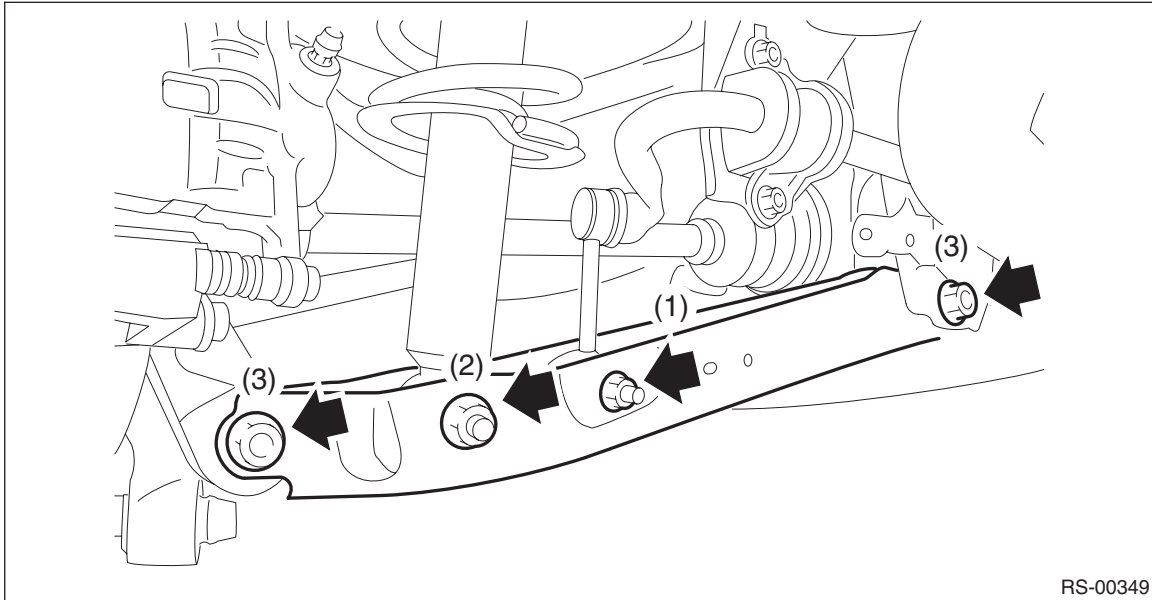


4) Remove the bolts and nuts, and remove the lateral link assembly - rear on the left and right sides.

(1) Remove the nut and disconnect the rear stabilizer link assembly.

(2) Remove the bolts at the bottom of rear strut assembly.

(3) Disconnect the lateral link assembly - rear.



B: INSTALLATION

CAUTION:

- Be sure to use a new self-locking nut.
- Always tighten the bushing in the state where the vehicle is at curb weight and the wheels are in full contact with the ground.

1) Before installation, inspect the following items and replace any faulty part with a new one.

- Visually check the lateral link assembly - rear for damage and deformation.
- Visually check the bushing for abnormal cracks, fatigue or damage.

2) Install each part in the reverse order of removal.

Tightening torque:

Refer to "COMPONENT" of "General Description". <Ref. to RS-3, COMPONENT, General Description.>

3) Install the rear wheels.

Tightening torque:

Except for C4 model: 120 N·m (12.24 kgf·m, 88.5 ft·lb)

C4 model: 100 N·m (10.20 kgf·m, 73.8 ft·lb)

4) Inspect the wheel alignment and adjust if necessary.

- Inspection: <Ref. to FS-7, INSPECTION, Wheel Alignment.>
- Adjustment: <Ref. to FS-12, ADJUSTMENT, Wheel Alignment.>

CAUTION:

When the wheel alignment has been adjusted, perform the following VDC setting mode.

– Model without EyeSight: VDC sensor midpoint setting mode <Ref. to VDC-26, VDC SENSOR MID-POINT SETTING MODE (MODELS WITHOUT EyeSight), ADJUSTMENT, VDC Control Module and Hydraulic Control Unit (VDCCM&H/U).>

– Model with EyeSight: Neutral of Steering Angle Sensor & Lateral G Sensor 0 point setting <Ref. to VDC-26, NEUTRAL OF STEERING ANGLE SENSOR & LATERAL G SENSOR 0 POINT SETTING (MODEL WITH EyeSight), ADJUSTMENT, VDC Control Module and Hydraulic Control Unit (VDC-CM&H/U).>

– Model with EyeSight: Longitudinal G sensor & lateral G sensor 0 point setting <Ref. to VDC-27, LONGITUDINAL G SENSOR & LATERAL G SENSOR 0 POINT SETTING MODE (MODEL WITH EyeSight), ADJUSTMENT, VDC Control Module and Hydraulic Control Unit (VDCCM&H/U).>

5) Perform reinitialization of the auto headlight beam leveler system. (Model with auto headlight beam leveler) <Ref. to LI-20, REINITIALIZATION, PROCEDURE, Auto Headlight Beam Leveler System.>

Rear Lateral Link

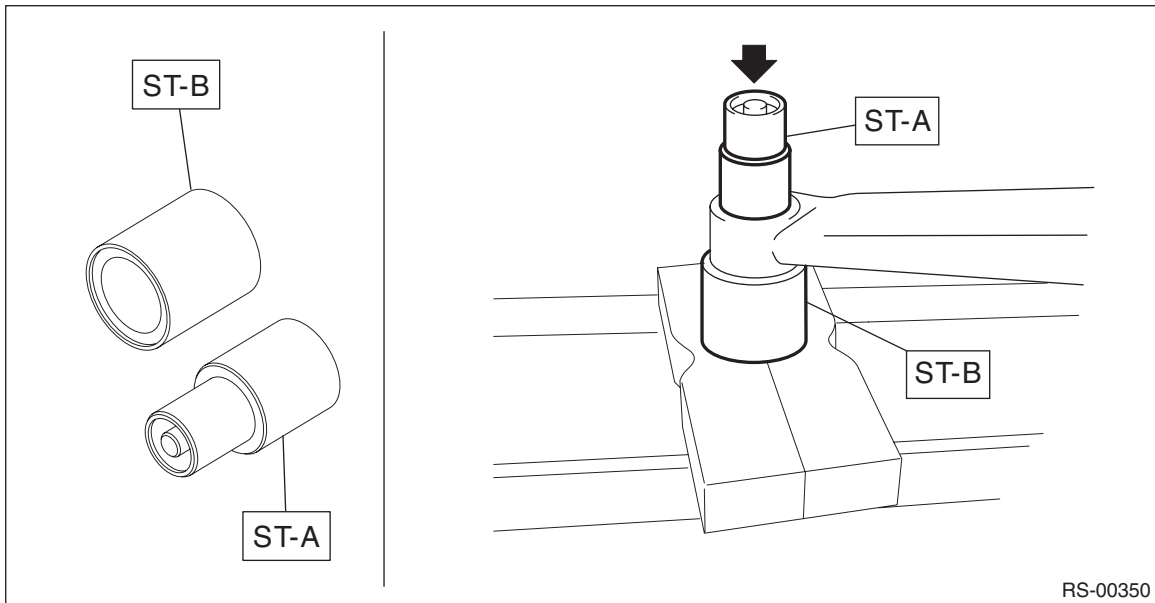
REAR SUSPENSION

C: DISASSEMBLY

Using the ST, push out the bushing.

Preparation tool:

ST-A & ST-B: INSTALLER & REMOVER (20099AE010)



RS-00350

D: ASSEMBLY

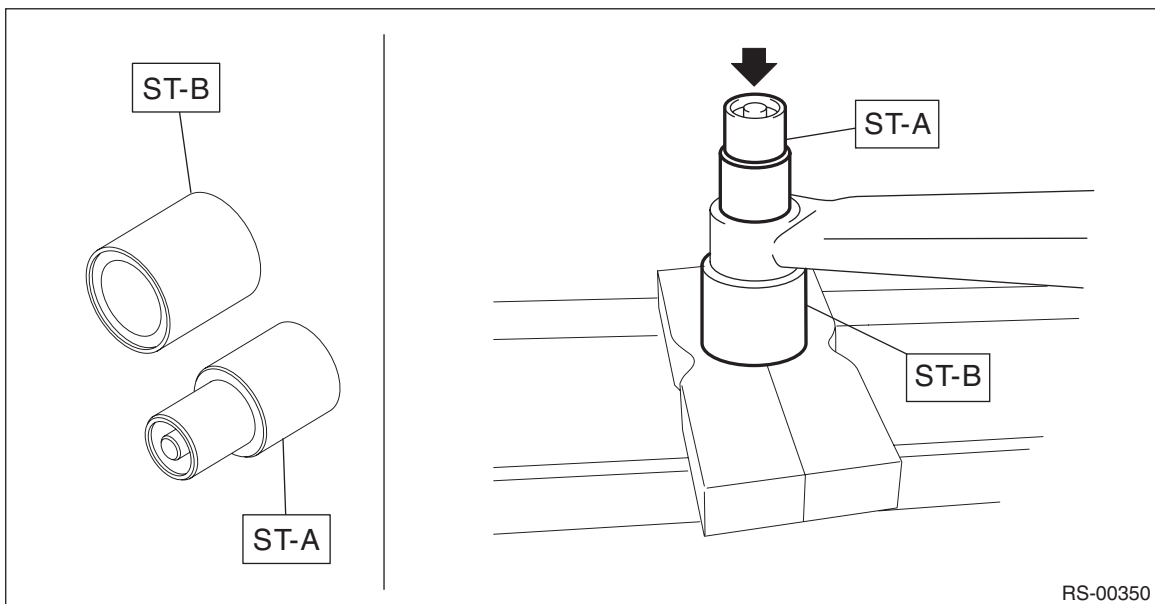
1) Before assembly, inspect the following items and replace any faulty part with a new one.

- Visually check the lateral link assembly - rear for damage and deformation.
- Visually check the bushing for abnormal cracks, fatigue or damage.

2) Using the ST, press the bushing into place.

Preparation tool:

ST-A & ST-B: INSTALLER & REMOVER (20099AE010)



RS-00350